



TH 338 TRIODE

The TH 338 is a forced air cooled, ceramic metal, high gain triode of planar structure. It is specially designed for highly linear amplifier operating up to 1000 MHz without grid current in T.V. translators handling both sound and vision signals in the same channel with a crossmodulation level better than 52 dB.

The anode can dissipate 1200 W.



GENERAL CHARACTERISTICS

Electrical

Type of cathode	oxide coated
- Heating	indirect
Heater voltage (1)	6.3 ± 2 % V
Heater current, approximate	5.5 A
Minimum preheating time	3 mn
Interelectrode capacitances (2) :	
- grid-anode	7.7 to 8.7 pF
- grid-cathode (cold)	16 pF
- cathode-anode (cold)	0.13 pF
Amplification factor, approximate	80
Transconductance ($I_a = 250$ mA)	45 mA/V

Mechanical

Mounting position	any
Anode cooling	forced air
Minimum airflow	see curves page 3
Corresponding air pressure drop	see curves page 3
Maximum inlet air temperature	45 °C
Maximum outlet air temperature	100 °C
Maximum temperature of electrode terminals (3)	250 °C
Net weight, approximate	1200 g
Dimensions	see drawing



OPERATING CONDITIONS

Maximum ratings

Anode D.C. voltage	2.8	kV
Grid D.C. voltage	- 200	V
Peak cathode current	2.5	A
Anode D.C. current	0.6	A
Anode dissipation power	1 200	W
Frequency	1 000	MHz

CLASS A - LINEAR AMPLIFIER FOR TELEVISION TRANSLATOR HANDLING BOTH SOUND AND VISION SIGNALS C.C.I.R. STANDARD

Typical operation

Operating frequency	780	MHz
Heater voltage	5.7	V
Anode D.C. voltage	2.4	kV
Anode D.C. current	0.4	A
Gain	16	dB
Peak video power	220	W
Crossmodulation level (3 tones test)	> 52	dB*

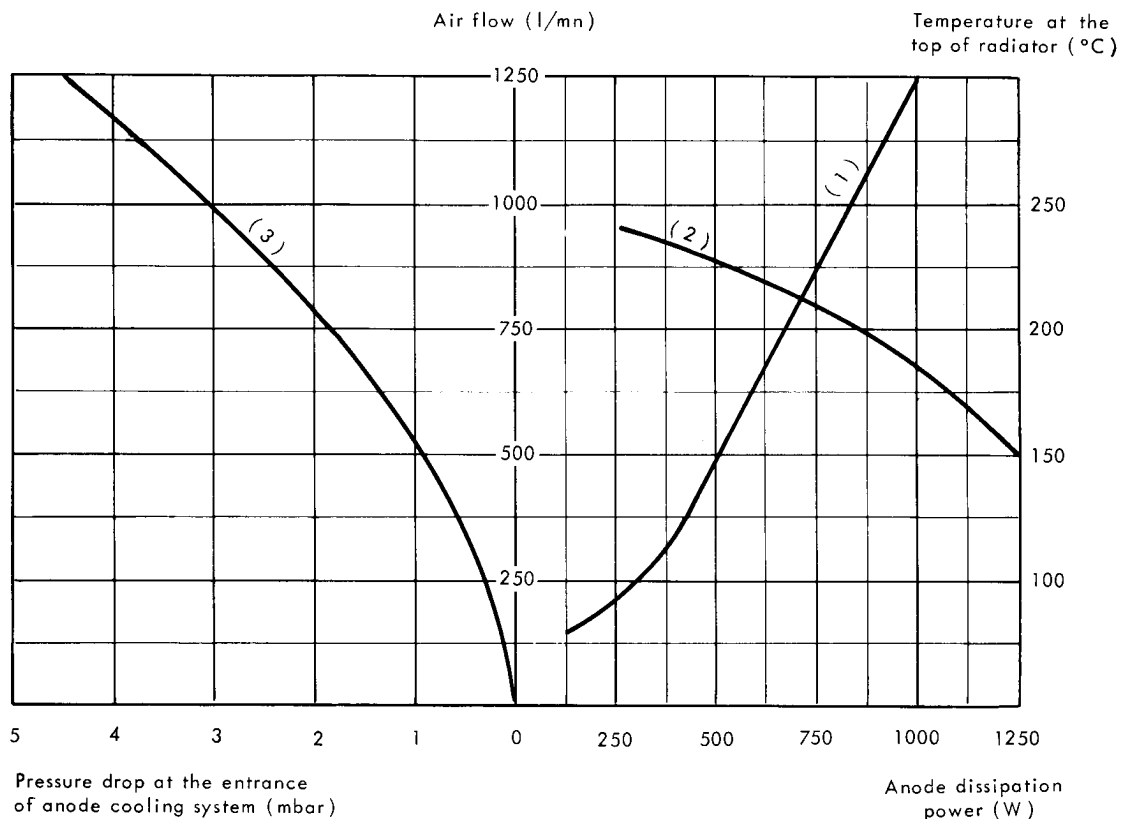
* Under Video level.

NOTES

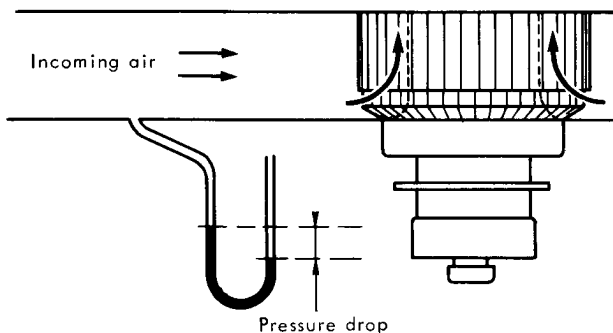
- 1 - In high frequency operation, the cathode is subjected to considerable back bombardment which raises its temperature. After the circuit has been adjusted for proper tube operation, the heater voltage must be reduced to prevent overheating of the cathode with resulting short life. Please ask for information for any special application.
- 2 - Measurements are made in appropriate mounting with minimum parasitic capacitances.
- 3 - For maximum tube life, this temperature must not exceed 200 °C. The cooling airflow must be established before application of any electrode voltage.



ANODE COOLING CHARACTERISTICS

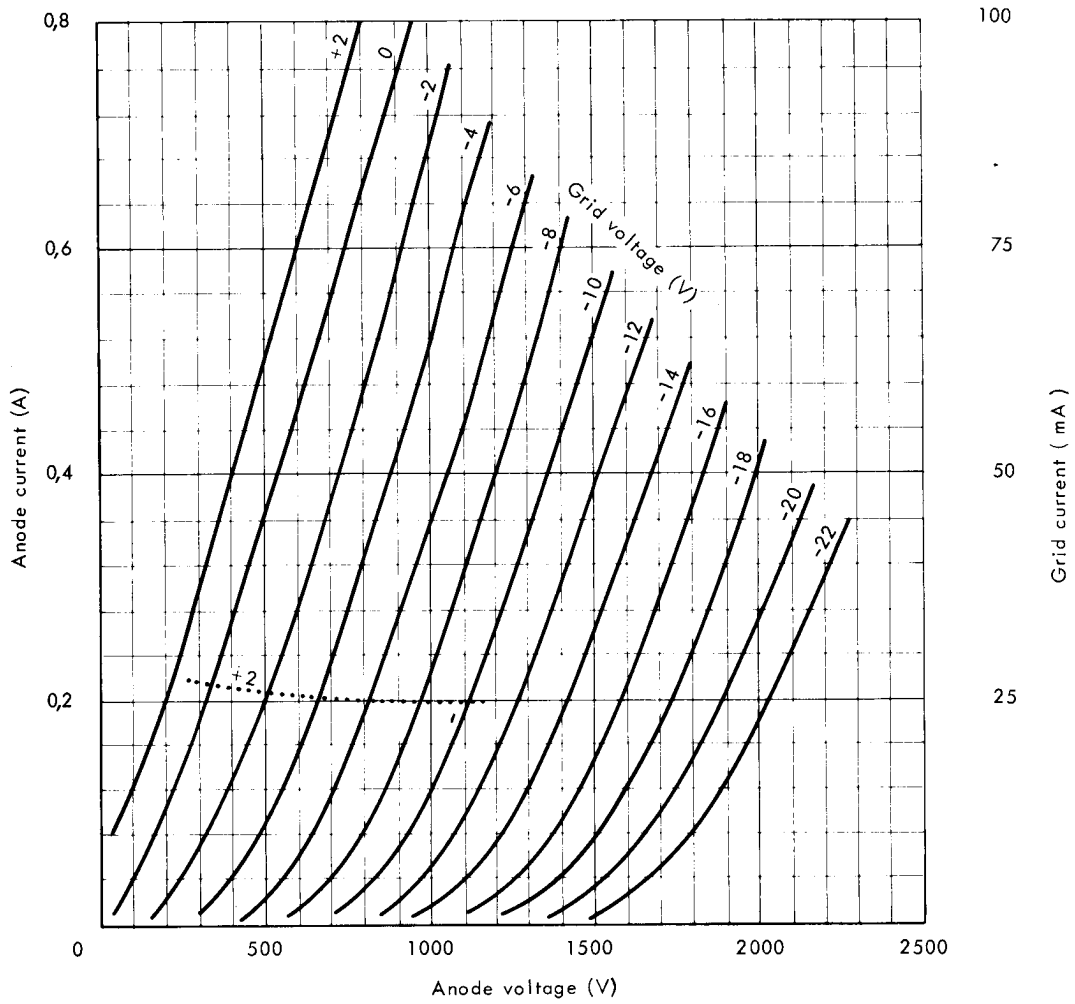


- (1) Airflow versus anode dissipation power
- (2) Temperature measured at the top of the radiator versus anode dissipation
- (3) Pressure drop at the entrance of anode cooling system versus airflow;
the temperature of incoming air at the entrance is 25°C and the air pressure is 1 bar.





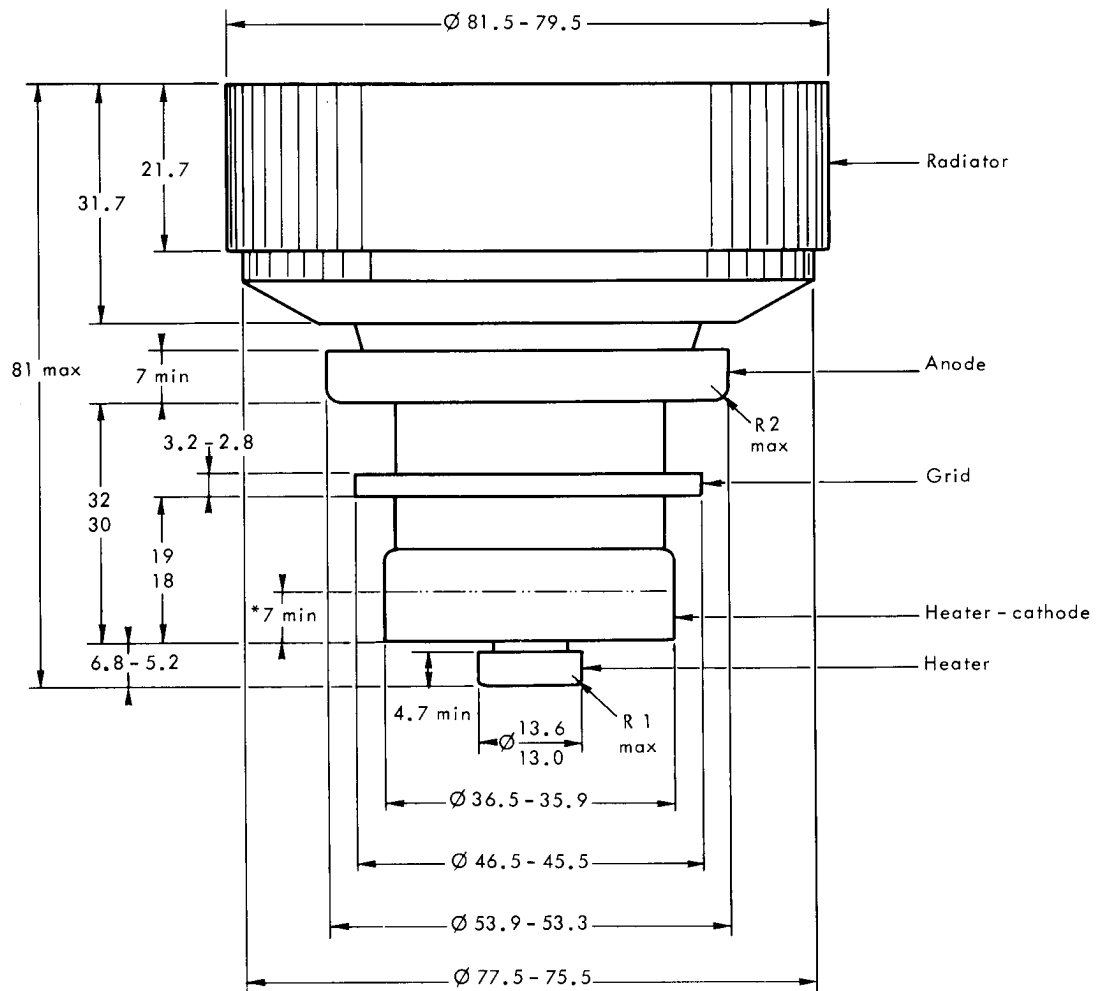
CURRENT CHARACTERISTICS



— Anode current
..... Grid current

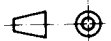


OUTLINE DRAWING



* cylindrical zone for connection

Dimensions in mm.



TH 338



THOMSON-CSF
GROUPEMENT TUBES ELECTRONIQUES



THOMSON-CSF

GROUPEMENT TUBES ELECTRONIQUES



TH 338 TRIODE

The TH 338 is a forced air cooled, ceramic metal, high gain triode of planar structure. It is specially designed for highly linear amplifier operating up to 1000 MHz without grid current in T.V. translators handling both sound and vision signals in the same channel with a crossmodulation level better than 52 dB.

The anode can dissipate 1200 W.



GENERAL CHARACTERISTICS

Electrical

Type of cathode	oxide coated
Heating	indirect
Heater voltage (1)	6.3 ± 2 % V
Heater current, approximate	5.5 A
Minimum preheating time	3 mn
Interelectrode capacitances (2) :	
- grid-anode	7.7 to 8.7 pF
- grid-cathode (cold)	16 pF
- cathode-anode (cold)	0.13 pF
Amplification factor, approximate	80
Transconductance ($I_a = 250$ mA)	45 mA/V

Mechanical

Mounting position	any
Anode cooling	forced air
Minimum airflow	see curves page 3
Corresponding air pressure drop	see curves page 3
Maximum inlet air temperature	45 °C
Maximum outlet air temperature	100 °C
Maximum temperature of electrode terminals (3)	250 °C
Net weight, approximate	1200 g
Dimensions	see drawing

OPERATING CONDITIONS

Maximum ratings

Anode D.C. voltage	2.5	kV
Grid D.C. voltage	- 200	V
Peak cathode current	2.5	A
Anode D.C. current	0.6	A
Anode dissipation power	1 200	W
Frequency	1 000	MHz

CLASS A - LINEAR AMPLIFIER FOR TELEVISION TRANSLATOR HANDLING BOTH SOUND AND VISION SIGNALS C.C.I.R. STANDARD

Typical operation

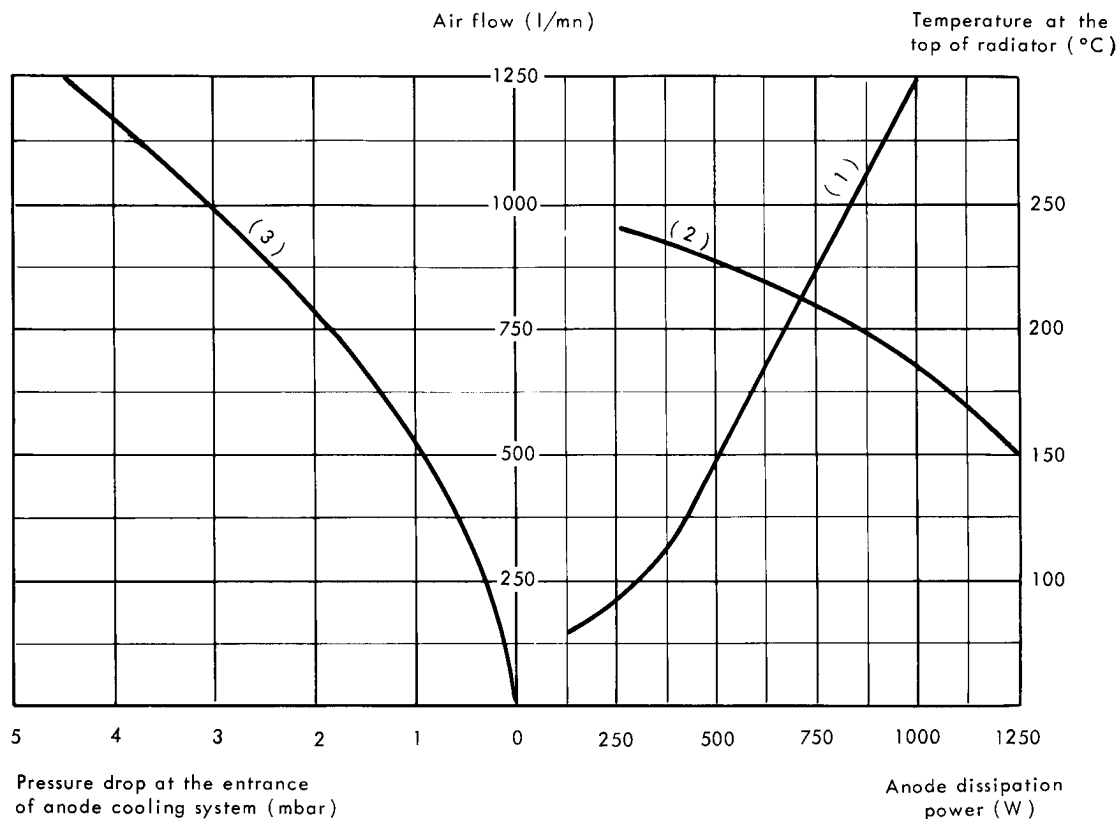
Operating frequency	780	MHz
Heater voltage	5.7	V
Anode D.C. voltage	2.4	kV
Anode D.C. current	0.4	A
Gain	16	dB
Peak video power	220	W
Crossmodulation level (3 tones test)	> 52	dB*

* Under Video level.

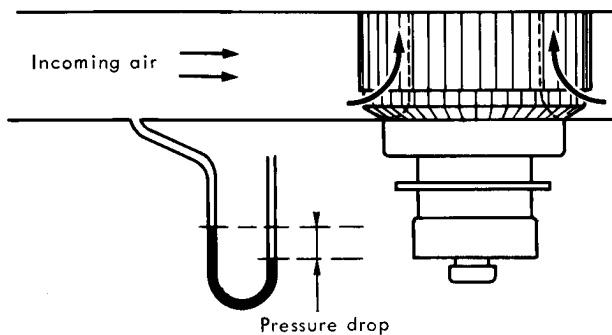
N O T E S

- 1 - In high frequency operation, the cathode is subjected to considerable back bombardment which raises its temperature. After the circuit has been adjusted for proper tube operation, the heater voltage must be reduced to prevent overheating of the cathode with resulting short life. Please ask for information for any special application.
- 2 - Measurements are made in appropriate mounting with minimum parasitic capacitances.
- 3 - For maximum tube life, this temperature must not exceed 200 °C. The cooling airflow must be established before application of any electrode voltage.

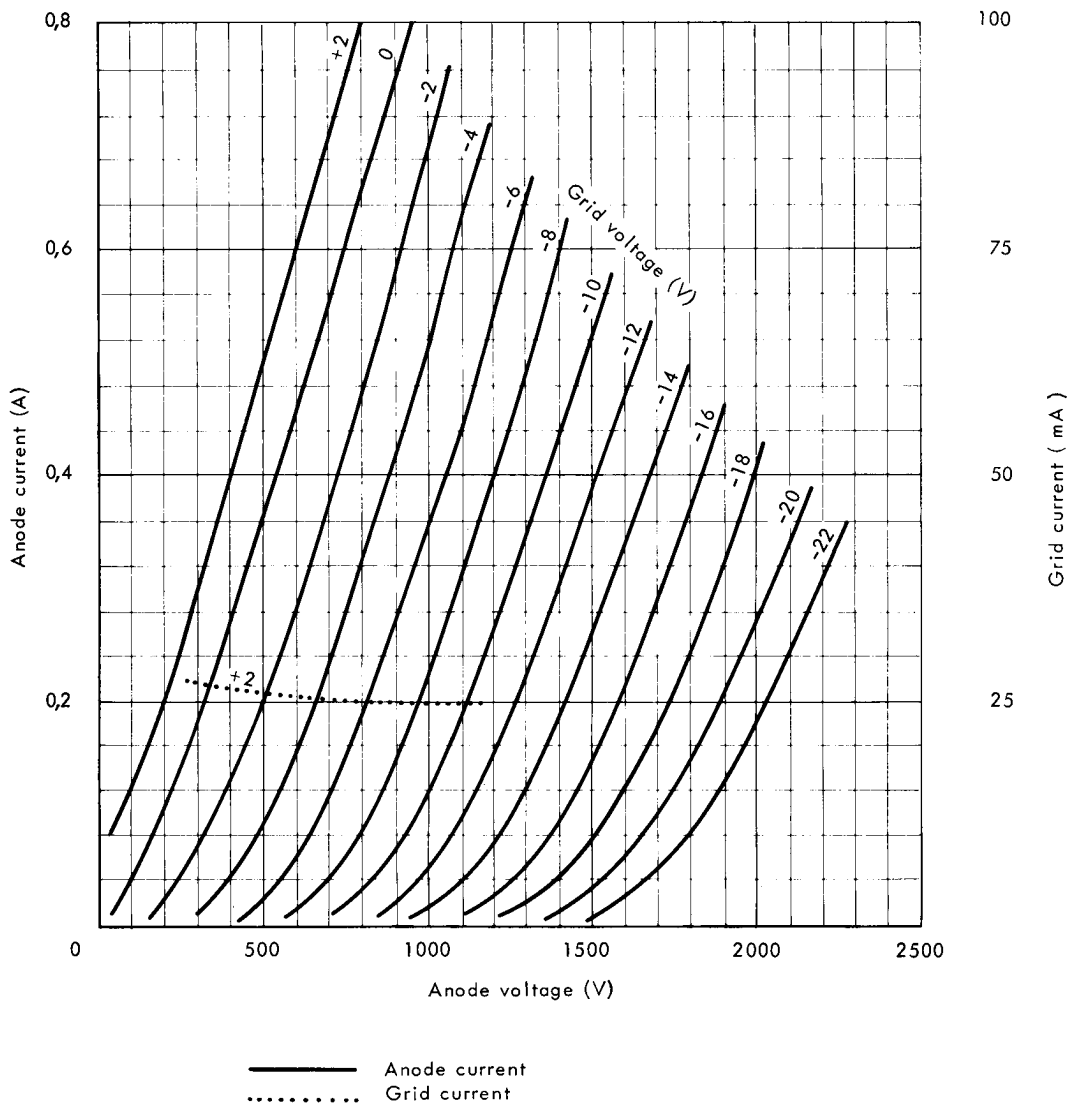
ANODE COOLING CHARACTERISTICS



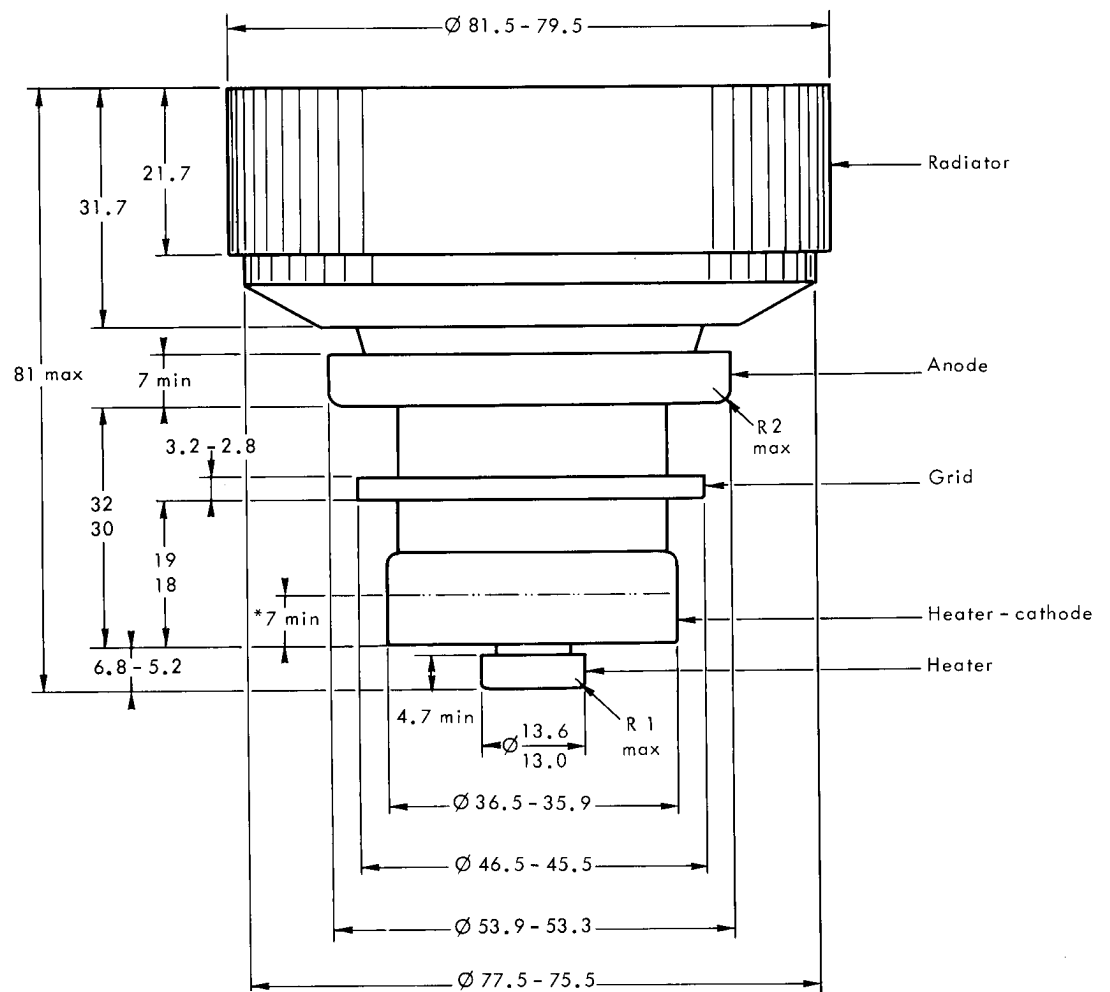
- (1) Airflow versus anode dissipation power
- (2) Temperature measured at the top of the radiator versus anode dissipation
- (3) Pressure drop at the entrance of anode cooling system versus airflow; the temperature of incoming air at the entrance is 25°C and the air pressure is 1 bar.



CURRENT CHARACTERISTICS

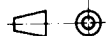


OUTLINE DRAWING



* cylindrical zone for connection

Dimensions in mm.





THOMSON-CSF

EQUIPEMENT TUBES ELECTRONIQUES